



ASBLED

Sleek LED Polycarbonate Bulkhead - 6W Black



Features

All polycarbonate multipurpose bulkhead.

Exceeds performance of 9W PL.

Unique Visiluxe diffuser allows 90% light transmission from LED source for increased performance.

Instant light output and unlimited switching.

LED lifespan L70 56,000 hours.

Non-dimmable.

General Information

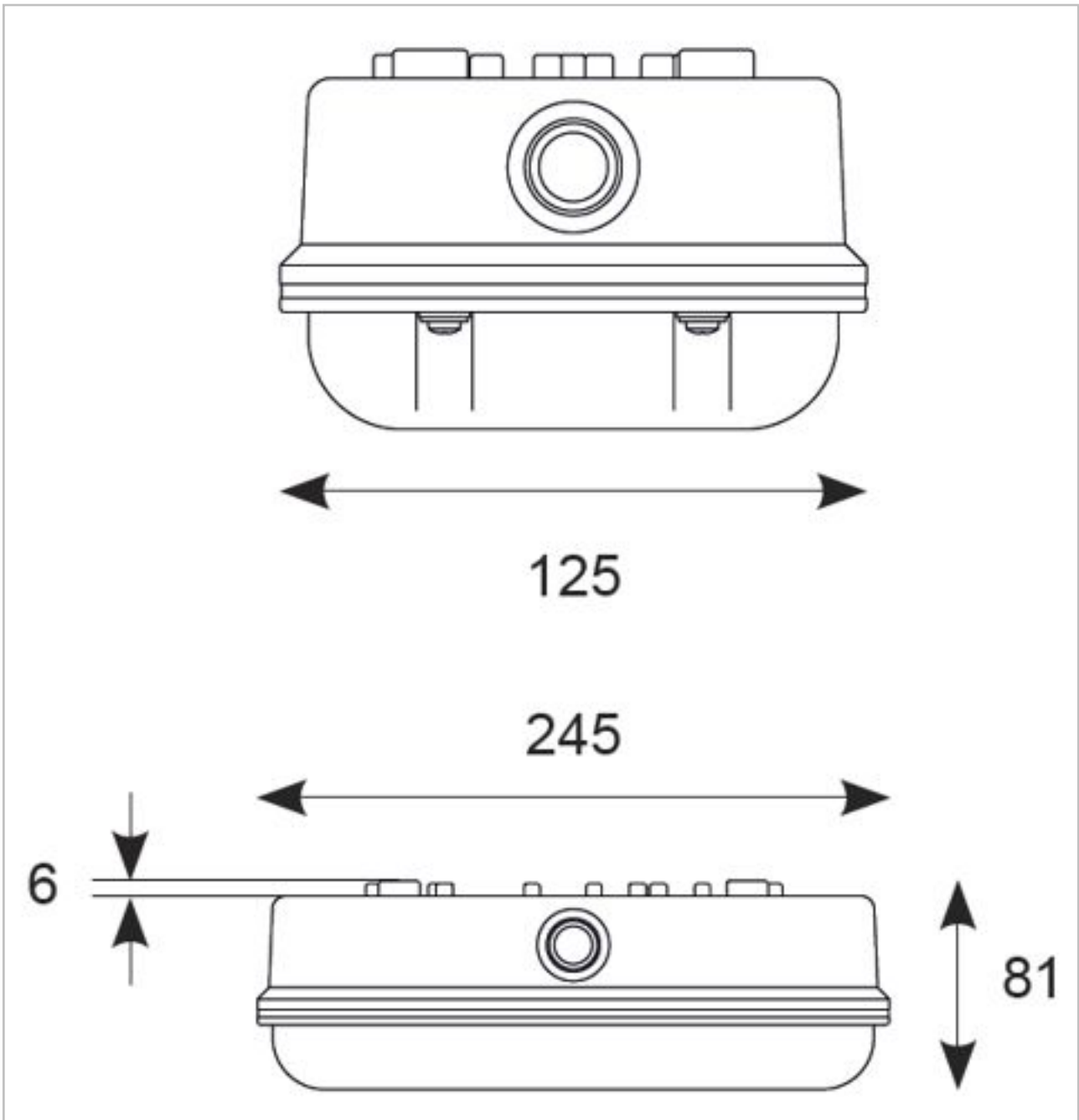
Lamp Type	LED
Colour / Finish	Black
IP Rating	IP65
Class Protection	2
Bathroom Zone	2
Internal / External	Internal/External
Surface / Recessed / Suspended	Surface
Warranty (Years)	2
CE Mark	Yes
Width (mm)	125
Height (mm)	245
Depth (mm)	81

Technical Information

Wattage	6W
Lumens Delivered	440lm
Lm/W	73lm
CRI	Ra 80
CCT	4000k
Input	230V
Hertz	50Hz
Operating Temp	0°C to 25°C

Technical Data - ETIM - Ceiling-/wall luminaire (EC002892)

Suitable for wall mounting	Yes
Suitable for suspended mounting	No
Suitable for ceiling mounting	Yes
Suitable for built-in mounting	No
Suitable for surface mounting	Yes
Suitable for number of lamps	1
Material housing	Plastic
Colour housing	Black
Nominal voltage	230-230 V
Control gear included	Yes
No dim function	Yes
Degree of protection (IP)	IP65
Protection class	II
Suitable for emergency lighting	No
With movement sensor	No
With light sensor	No
Max. system power	6 W
Rated luminous flux acc. IEC 62722-2-1	440 lm
Colour of light	White
Colour temperature	4000-4000 K
Colour rendering index CRI	80-89
Luminaire efficacy	73 lm/W
Height/depth	245 mm
Length	125 mm



Datasheet generated from <https://onetimepim.com> last updated Monday, November 4, 2019 2:20:25 PM