

TECHNICAL DATASHEET

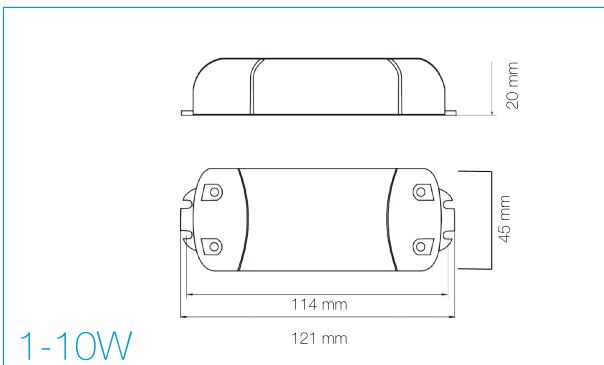
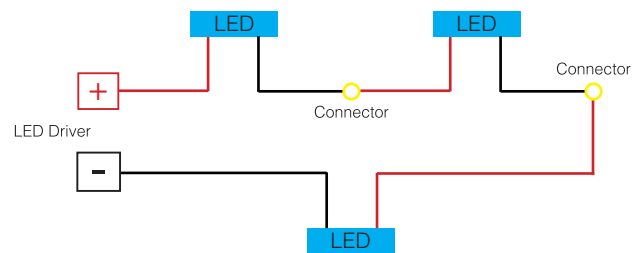
ADRCC350/1-10
350mA Constant Current LED Driver



PRODUCT FEATURES

- Loop-in Loop-out Feature
- 1...10 PCS x 1W LED (350mA)
- Compact Size
- Enlarged Terminals

SERIES WIRING REQUIRED



		ErP Compliant	
	3 Year Guarantee	350mA	1-10W

PRODUCT CODE	ADRCC350/1-10
Operating Voltage	220-240 V AC
Output Current	350mA
Output Voltage	3-38V DC
Operating Load	1....10 PCS X 7W LED (350mA) 1....3 PCS X 7W LED (350mA)
Temperature	-15~+45°C