



## **KBHCT18C8S44**

Pico-i, Twist & Lock LED Bulkhead, Built-in 18W LED Tray



### **Product Overview**

Kosnic's Pico-i Integrated LED Bulkhead comes with built-in DoB (driver-on-board) LED modules. The bulkhead is IP44 rated when ceiling mounted and has a simple edge-less vacuum formed polycarbonate cover with high LOR. The bulkhead also contains a pre-fitted emergency LED strip that allows it to quickly and easily be converted for emergency use via the optional emergency module. Altogether the bulkhead offers a simple and elegant solution to lighting in corridors, staircases, thoroughfares and other areas where a practical lighting solution is required.

# Features

Integrated DoB LED modules

Twist and lock fast fit

Optional plug-in emergency module

Class I

IP44 when ceiling mounted

High lumen output

Long life of 40,000h

Instant start

Negligible UV output

Surge protection

## Emergency Module

The optional emergency module offers a quick and easy conversion that provides power in the event of a cut in the supply. The built-in battery will supply the emergency LED strip for over 3 hours at a reduced output level.

# Specifications

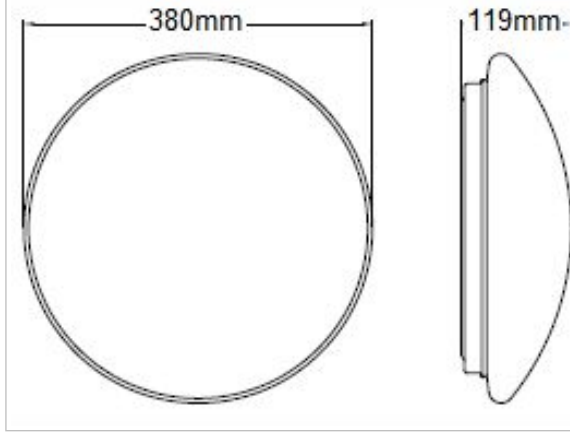
KBHCT18C8S44-W40	
<b>Shape / Type</b>	Bulkhead
<b>Materials</b>	Polycarbonate and metal
<b>Power (W)</b>	18
<b>Total Lumens (lm)</b>	1350
<b>Input Current (mA)</b>	140
<b>Input Voltage</b>	220-240Vac 50-60Hz
<b>CCT Temperature (k)</b>	4000
<b>CCT Name</b>	Cool White
<b>Rated Life (hrs)</b>	40000
<b>Switch Cycles</b>	50000
<b>CRI</b>	84
<b>Dimmable</b>	No
<b>Emergency</b>	Optional Accessory
<b>Power Factor</b>	0.53
<b>IP Rating</b>	IP44 (ceiling mounted)
<b>Class Protection</b>	Class I
<b>Warm-up Time (s)</b>	Instant full light
<b>Depth (mm)</b>	119
<b>Diameter (mm)</b>	380
<b>Mercury (mg)</b>	0
<b>LMF at Lifetime</b>	0.75
<b>SDCM of CCT</b>	<6
<b>Photobiological Risk Group</b>	Exempt

<b>Ambient Temperature (°C)</b>	-20 to 40
<b>Emergency Luminous Flux</b>	220
<b>Emergency Conversion Time (seconds)</b>	1
<b>Emergency Operating Time (hours)</b>	3
<b>Battery Code</b>	KBAT2200
<b>Battery Voltage (V)</b>	7.4
<b>Battery Capacity (mAh)</b>	2200
<b>Battery Type</b>	Samsung Li-Ion
<b>Battery Charging Time (hrs)</b>	12
<b>Battery Life (years)</b>	4
<b>Barcode</b>	5060063421902

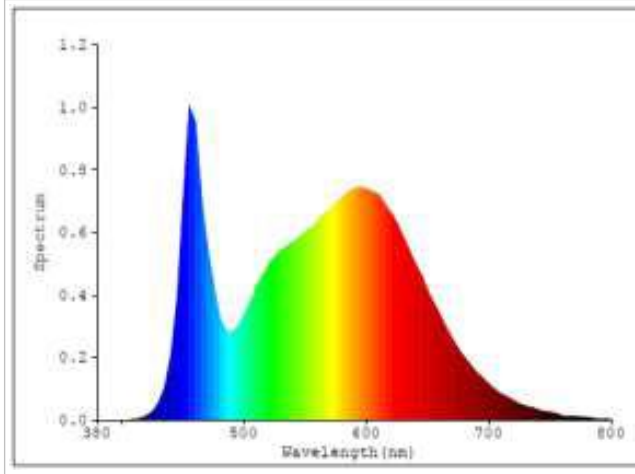
## Packaging

	<b>KBHCT18C8S44-W40</b>
<b>Outer Box Length (mm)</b>	695
<b>Outer Box Width (mm)</b>	495
<b>Outer Box Height (mm)</b>	345
<b>Volume</b>	0.118688625
<b>Box Quantity</b>	10
<b>Outer Box Weight (kg)</b>	11.4

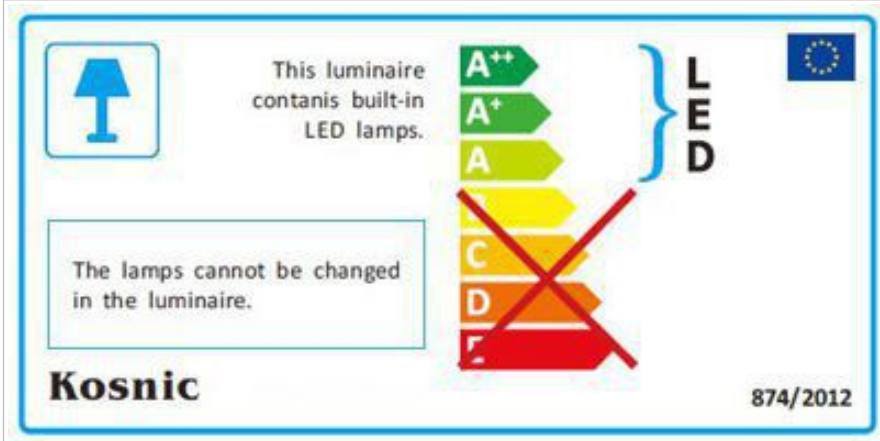
KBHCT18C8S44-W40



KBHCT18C8S44-W40



KBHCT18C8S44-W40



Datasheet generated from <https://www.electrika.com> last updated Friday, April 26, 2019 11:21:34 AM