



## **KFLDHS20Q465**

Rhine, LED Flood Light, 20W



## **Product Overview**

The Kosnic Rhine LED Floodlights make ideal replacements for energy-hungry halogen lighting. Suitable for outdoor use, the range offers affordable products with high lumen efficiency and a long life.

## **Features**

Class I, IP65

High lumen output

30,000h rated lifetime

Instant start

Negligible UV output

Elegant design

---

Unit D2 Kennetside, Bone Lane

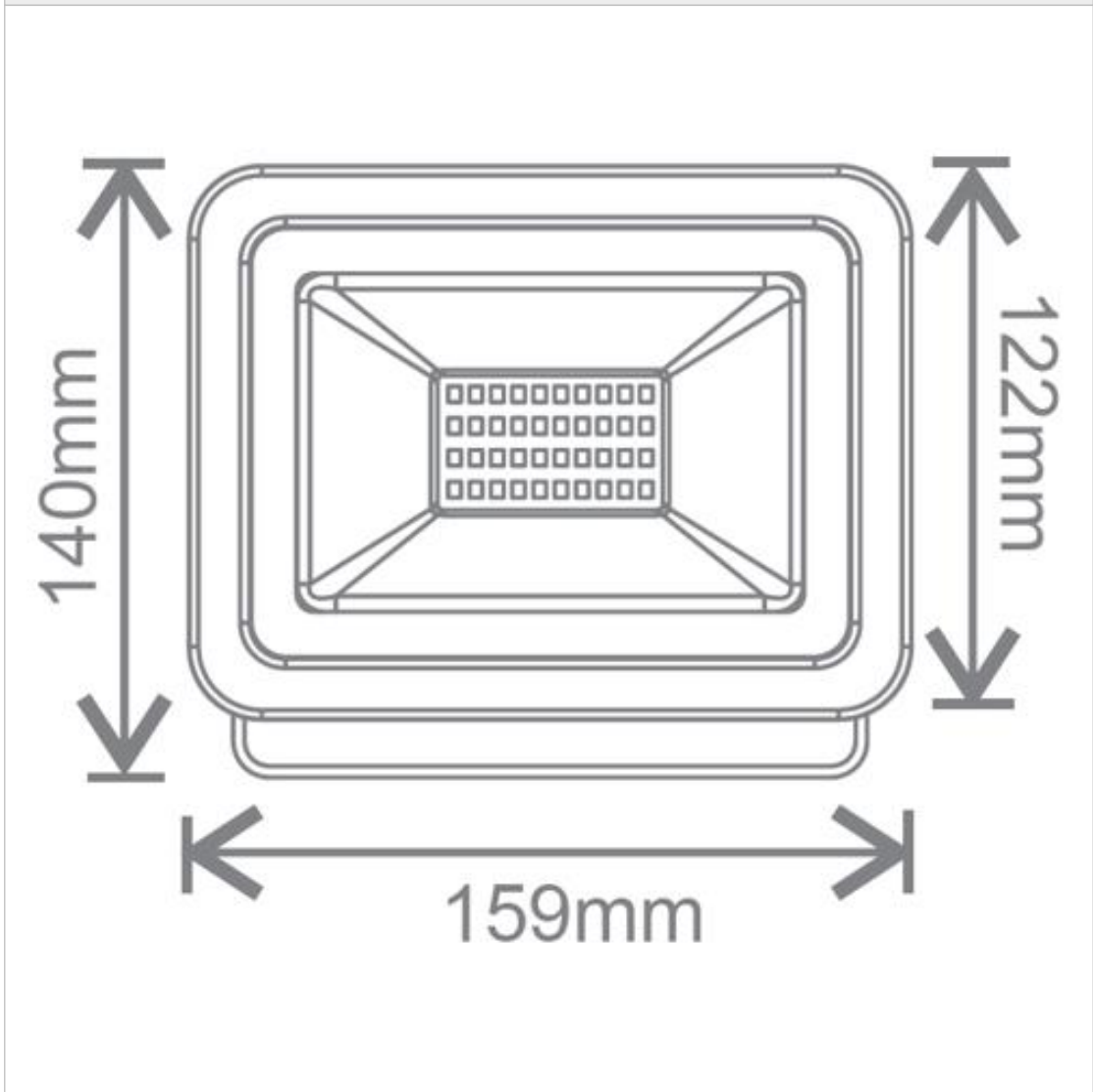
Newbury, Berkshire

T: 01635 523 713 E: [sales@kosnic.com](mailto:sales@kosnic.com) W: <http://www.kosnic.com>

# Specifications

|                                      | KFLDHS20Q465-W40-BLK                          | KFLDHS20Q465-W65-BLK                          |
|--------------------------------------|---|---|
| <b>Input Current (mA)</b>            | 46  | 46  |
| <b>Rated Life (hrs)</b>              | 30000   | 30000   |
| <b>Switch Cycles</b>                 | 25000   | 25000   |
| <b>CRI</b>                           | 82  | 82  |
| <b>IP Rating</b>                     | IP65  | IP65  |
| <b>Class Protection</b>              | Class II                                      | Class II                                      |
| <b>Connection</b>                    | 300 mm of H05RN-F 3 x<br>0.75 mm <sup>2</sup> | 300 mm of H05RN-F 3 x<br>0.75 mm <sup>2</sup> |
| <b>Width (mm)</b>                    | 159   | 159   |
| <b>Height (mm)</b>                   | 122   | 122   |
| <b>Depth (mm)</b>                    | 26  | 26  |
| <b>LMF at Lifetime</b>               | 0.70  | 0.70  |
| <b>SDCM of CCT</b>                   | <6  | <6  |
| <b>Detection Angle (°)</b>           | 110   | 110   |
| <b>Detection Zone</b>                | 2 m to 10 m in 120 °                          | 2 m to 10 m in 120 °                          |
| <b>Ambient Light Threshold (lux)</b> | 3 to 2000                                     | 3 to 2000                                     |

KFLDHS20Q465-W40-BLK  
KFLDHS20Q465-W65-BLK



Datasheet generated from <https://www.electrika.com> last updated Tuesday, April 30, 2019 9:21:42 AM