



KFLM04GLF-CLR

4W LED Filament Golf, Clear



Product Overview

Kosnic's Home range of LED products brings the energy saving and safety capabilities of LED technology for general and decorative lighting to the home. Offering a range of classic shapes, all Home LEDs are designed to replace traditional filament lamps. Our showpiece KTC LED Filament Golf lamp has a traditional appearance and gives an even spread of light in all directions. It is also highly functional and efficient, up to 100lm/W, giving a quality of light that creates inviting living spaces while offering huge energy savings over filament lamps without compromising on brightness. The lamps can quickly replace filament products in domestic and hospitality lighting applications, and once in place rapid payback is achieved.

Features

Save energy up to 88% compared with an incandescent filament lamp.

Linear LED filament provides a traditional appearance.

Popular B22, E14 and E27 caps.

Even light distribution.

High lumen output.

Long life of 20,000hrs.

Instant start.

Negligible UV output.

Mercury free.

Specifications

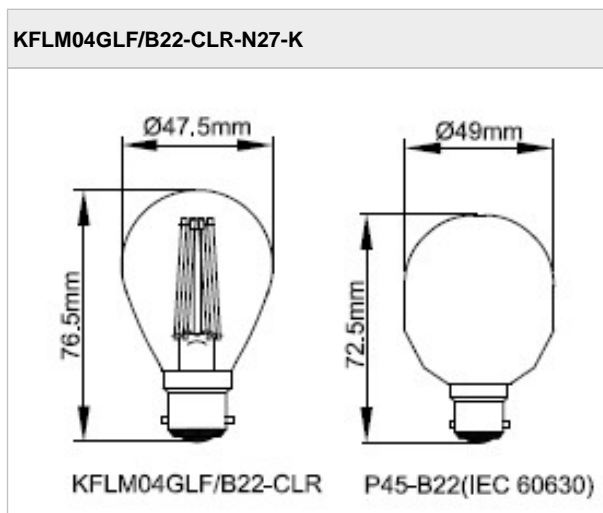
	KFLM04GLF/B22-CLR-N27-K	KFLM04GLF/E14-CLR-N27-K	KFLM04GLF/E27-CLR-N27-K
Fitting	B22	E14	E27
Shape / Type	Golf	Golf	Golf
Optics Type	Clear	Clear	Clear
Wattage (w)	4	4	4
Equivalent Wattage (w)	34	34	34
Total Lumens (lm)	380	380	380
Input Current (mA)	35	35	35
Input Voltage	220-240Vac	220-240Vac	220-240Vac
CCT Temperature (k)	2700	2700	2700
CCT Name	Warm White	Warm White	Warm White
Rated Life (hrs)	20000	20000	20000
Switch Cycles	50000	50000	50000
CRI	81	81	81
Dimmable	No	No	No
Retrofit	No	No	No
Power Factor	0.50	0.50	0.50
Start Time (s)	0.10	0.10	0.10
Warm-up Time (s)	0.5	0.5	0.5
Length (mm)	76.5	83	79
Width (mm)	47.5	46	47.5
Depth (mm)	47.5	46	47.5
Ambient Temperature (°C)	-20 to 40	-20 to 40	-20 to 40

Energy Label

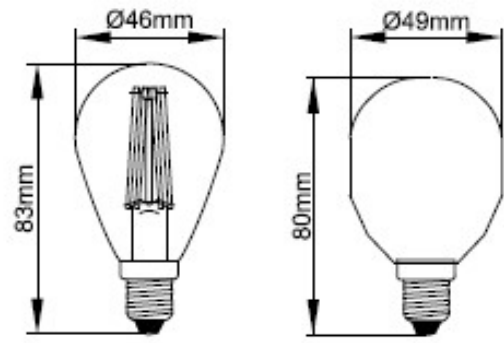
	KFLM04GLF/B22-CLR-N27-K	KFLM04GLF/E14-CLR-N27-K	KFLM04GLF/E27-CLR-N27-K
Energy Class	A++	A++	A++
Energy Consumption (kWh/1000h)	4	4	4

Packaging

	KFLM04GLF/B22-CLR-N27-K	KFLM04GLF/E14-CLR-N27-K	KFLM04GLF/E27-CLR-N27-K
Outer Box Length (mm)	550	550	550
Outer Box Width (mm)	280	280	280
Outer Box Height (mm)	120	120	120
Volume	0.01848	0.01848	0.01848
Box Quantity	50	50	50
Outer Box Weight (kg)	2.6	2.6	2.6

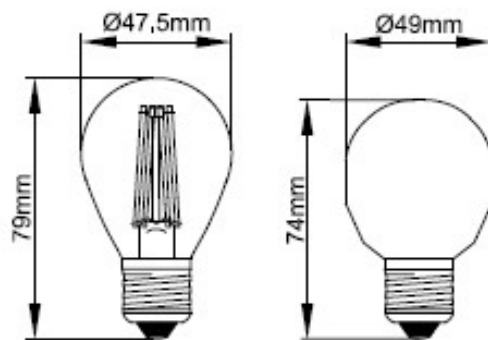


KFLM04GLF/E14-CLR-N27-K



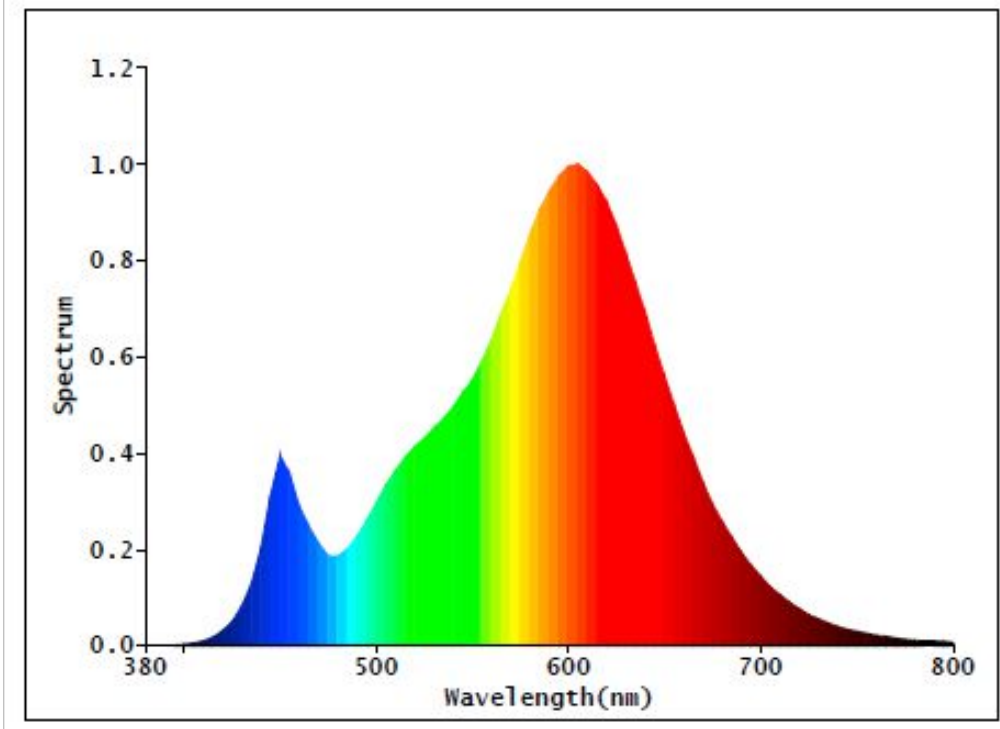
KFLM04GLF/E14-CLR P45-E14(IEC 60630)

KFLM04GLF/E27-CLR-N27-K



KFLM04GLF/E27-CLR P45-E27(IEC 60630)

KFLM04GLF/B22-CLR-N27-K
KFLM04GLF/E14-CLR-N27-K
KFLM04GLF/E27-CLR-N27-K



Datasheet generated from <https://www.electrika.com> last updated Friday, April 26, 2019 11:21:39 AM