



## **KFLM04ST64-GLD**

4W LED Antique Filament ST64, Gold



### **Product Overview**

Kosnic's Home range of LED products brings the energy saving and safety capabilities of LED technology for general and decorative lighting to the home. Offering a range of classic shapes, all Home LEDs are designed to replace traditional filament lamps. The Antique Filament LED lamps have a special coating with a golden finish, that shifts the light to a warmer colour temperature of 2500k. Such light creates an ultra warm and cozy living space while offering huge energy savings over filament lamps without compromising on brightness. The lamps can quickly replace filament products in domestic and hospitality lighting applications, and once in place rapid payback is achieved.

# Features

Save energy up to 88% compared with incandescent filament lamps.

Linear LED filament provides a traditional appearance.

Popular B22 and E27 caps.

Even light distribution.

High lumen output, up to 100lm/W.

Long life of 20,000hrs.

Instant start.

Negligible UV output.

Mercury free.

# Specifications

	KFLM04ST64/B22-GLD-N27-K	KFLM04ST64/E27-GLD-N27-K
<b>Fitting</b>	B22	E27
<b>Shape / Type</b>	ST64	ST64
<b>Colour Finish</b>	Gold	Gold
<b>Optics Type</b>	Golden Coating	Golden Coating
<b>Wattage (w)</b>	4	4
<b>Equivalent Wattage (w)</b>	35	35
<b>Total Lumens (lm)</b>	400	400
<b>Input Current (mA)</b>	29	29
<b>Input Voltage</b>	220-240Vac	220-240Vac
<b>CCT Temperature (k)</b>	2700	2700
<b>CCT Name</b>	Warm White	Warm White
<b>Rated Life (hrs)</b>	20000	20000
<b>Switch Cycles</b>	50000	50000
<b>CRI</b>	80	80
<b>Dimmable</b>	No	No
<b>Retrofit</b>	Yes	Yes
<b>Power Factor</b>	0.60	0.60
<b>Start Time (s)</b>	0.10	0.10
<b>Warm-up Time (s)</b>	0.5	0.5
<b>Length (mm)</b>	146	146
<b>Width (mm)</b>	64	64
<b>Depth (mm)</b>	64	64
<b>Ambient Temperature (°C)</b>	-20 to 40	-20 to 40

Unit D2 Kennetside, Bone Lane  
Newbury, Berkshire

T: 01635 523 713 E: sales@kosnic.com W: <http://www.kosnic.com>

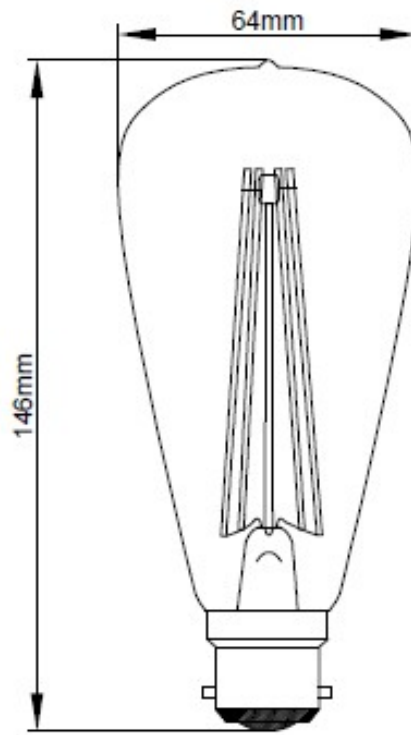
## Energy Label

	KFLM04ST64/B22-GLD-N27-K	KFLM04ST64/E27-GLD-N27-K
<b>Energy Class</b>	A++	A++
<b>Energy Consumption (kWh/1000h)</b>	4	4

## Packaging

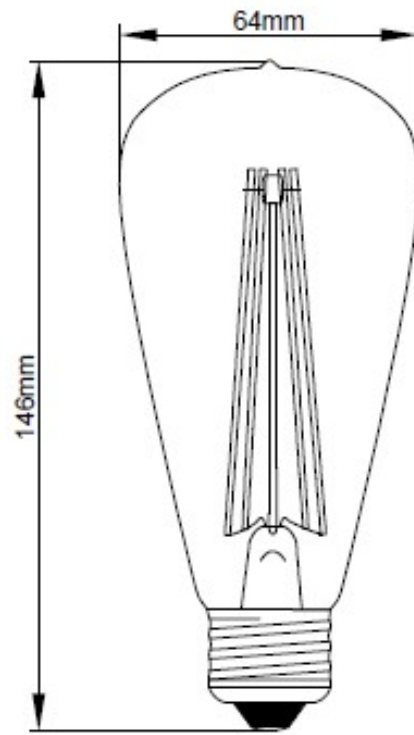
	KFLM04ST64/B22-GLD-N27-K	KFLM04ST64/E27-GLD-N27-K
<b>Outer Box Length (mm)</b>	710	710
<b>Outer Box Width (mm)</b>	360	360
<b>Outer Box Height (mm)</b>	190	190
<b>Volume</b>	0.048564	0.048564
<b>Box Quantity</b>	50	50
<b>Outer Box Weight (kg)</b>	6.05	6.05

KFLM04ST64/B22-GLD-N27-K



KFLM04ST64/B22-GLD

KFLM04ST64/E27-GLD-N27-K



KFLM04ST64/E27-GLD

KFLM04ST64/B22-GLD-N27-K  
KFLM04ST64/E27-GLD-N27-K

