



## **KFLM4.5GLB-CLR**

4.5W LED Filament Globe, Clear



### **Product Overview**

The KTC LED Filament Globe lamp has a traditional appearance and gives an even spread of light in all directions. It is also highly functional and efficient, up to 100lm/W, giving a quality of light that creates inviting living spaces while offering huge energy savings over filament lamps without compromising on brightness. The lamps can quickly replace filament products in domestic and hospitality lighting applications, and once in place rapid payback is achieved.

## Features

Linear LED filament provides a traditional appearance.

Even light distribution.

Popular B22 and E27 caps.

Save energy up to 90% compared with an incandescent filament lamp.

High lumen output, up to 100lm/W.

Long life of 20,000h.

Instant start.

Negligible UV output.

Mercury free.

## Safety and Maintenance

Switch off supply before installing or removing lamp. Allow to cool before handling.

Do not use in totally enclosed fittings as this will reduce lamp life.

Do not dispose of in household waste.

Dispose of in appropriate section of local civic amenity site or recycling centre.

# Specifications

	KFLM4.5GLB/B22-CLR-N27	KFLM4.5GLB/E27-CLR-N27-K
<b>Fitting</b>	B22	-
<b>Shape / Type</b>	Globe	-
<b>Optics Type</b>	Clear	-
<b>Wattage (w)</b>	4.5	-
<b>Equivalent Wattage (w)</b>	40	-
<b>Total Lumens (lm)</b>	470	-
<b>Input Current (mA)</b>	38	-
<b>Input Voltage</b>	220-240Vac	-
<b>CCT Temperature (k)</b>	2700	-
<b>CCT Name</b>	Warm White	-
<b>Rated Life (hrs)</b>	20000	-
<b>Nominal Lifetime (hrs)</b>	20000	-
<b>Switch Cycles</b>	50000	-
<b>Peak Candelas (cd)</b>	53	-
<b>CRI</b>	80	-
<b>Dimmable</b>	No	-
<b>Retrofit</b>	Yes	-
<b>Power Factor</b>	0.51	-
<b>Start Time (s)</b>	0.10	-
<b>Warm-up Time (s)</b>	Instant full light	-
<b>Length (mm)</b>	175	-
<b>Width (mm)</b>	125	-
<b>Depth (mm)</b>	125	-
<b>Mercury (mg)</b>	0	-

Unit D2 Kennetside, Bone Lane  
Newbury, Berkshire

T: 01635 523 713 E: sales@kosnic.com W: <http://www.kosnic.com>

<b>Clean-up instructions</b>	N/A	-
<b>Rated Power (W)</b>	4.50	-
<b>Rated Luminous Flux (lm)</b>	470	-
<b>LMF at Lifetime</b>	0.75	-
<b>SDCM of CCT</b>	<6	-
<b>Ambient Temperature (°C)</b>	-20 to 40	-

## Product Markings

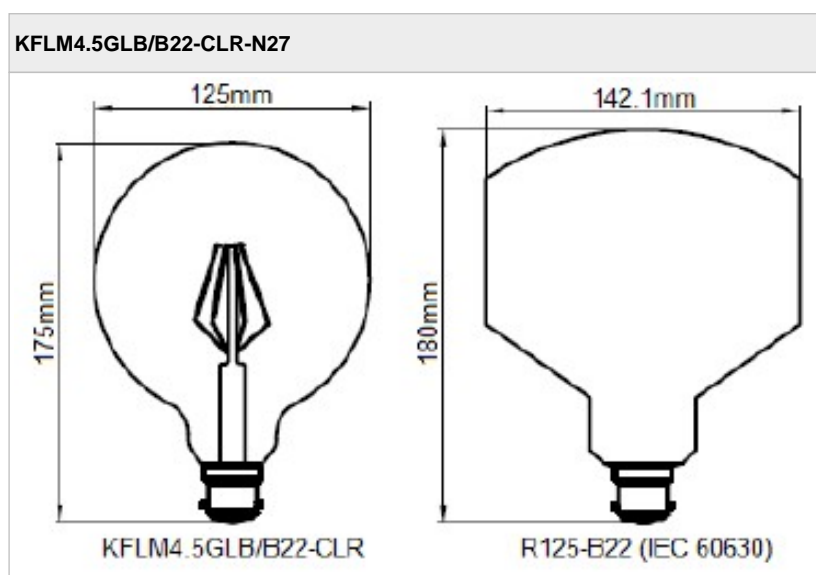
	KFLM4.5GLB/B22-CLR-N27	KFLM4.5GLB/E27-CLR-N27-K
<b>Manufacturer</b>	Kosnic	-
<b>Product Code</b>	KFLM4.5GLB/B22-CLR-N27	-
<b>Voltage</b>	220-240Vac 50-60Hz	-
<b>Nominal Power (W)</b>	4.5	-
<b>Current (mA)</b>	38	-
<b>CE Mark</b>	Yes	-
<b>WEEE Mark</b>	Yes	-
<b>Batch Code</b>	Yes	-

# Energy Label

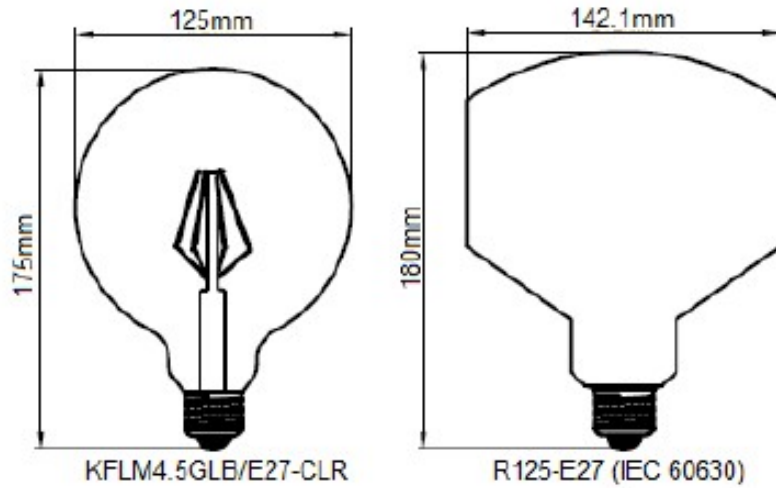
	KFLM4.5GLB/B22-CLR-N27	KFLM4.5GLB/E27-CLR-N27-K
<b>Manufacturer</b>	Kosnic	-
<b>Product Code</b>	KFLM4.5GLB/B22-CLR-N27	-
<b>Energy Class</b>	A++	-
<b>Energy Consumption (kWh/1000h)</b>	5	-

# Packaging

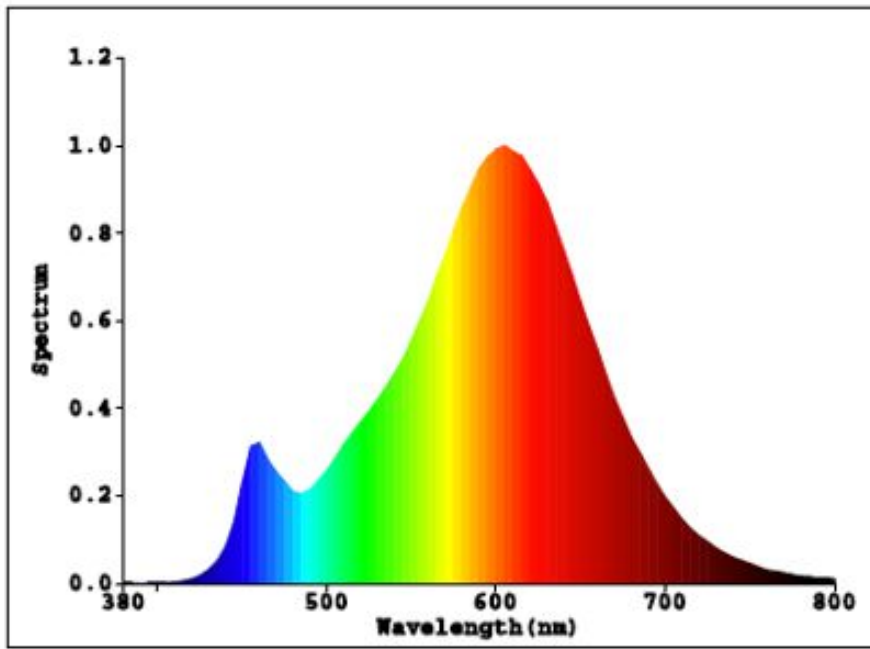
	KFLM4.5GLB/B22-CLR-N27	KFLM4.5GLB/E27-CLR-N27-K
<b>Outer Box Length (mm)</b>	510	-
<b>Outer Box Width (mm)</b>	302	-
<b>Outer Box Height (mm)</b>	155	-
<b>Volume</b>	0.0238731	-
<b>Box Quantity</b>	50	-
<b>Outer Box Weight (kg)</b>	3.2	-



**KFLM4.5GLB/E27-CLR-N27-K**



**KFLM4.5GLB/B22-CLR-N27**  
**KFLM4.5GLB/E27-CLR-N27-K**



Datasheet generated from <https://www.electrika.com> last updated Wednesday, May 1, 2019 10:07:28 AM