



RLP3009

REON 9W PAR30



Product Overview

The Reon LED PAR30 lamps offer huge energy savings over halogen lamps without compromising on brightness. The lamps can quickly replace halogen products in accent and general lighting applications, and once in place rapid payback is achieved.

Features

Save energy up to 90% compared with halogen lamp.

Replacement for halogen PAR30 lamps.

High lumen output.

Long life of 20,000h.

Instant start.

Negligible UV output.

Mercury free.

Safety and Maintenance

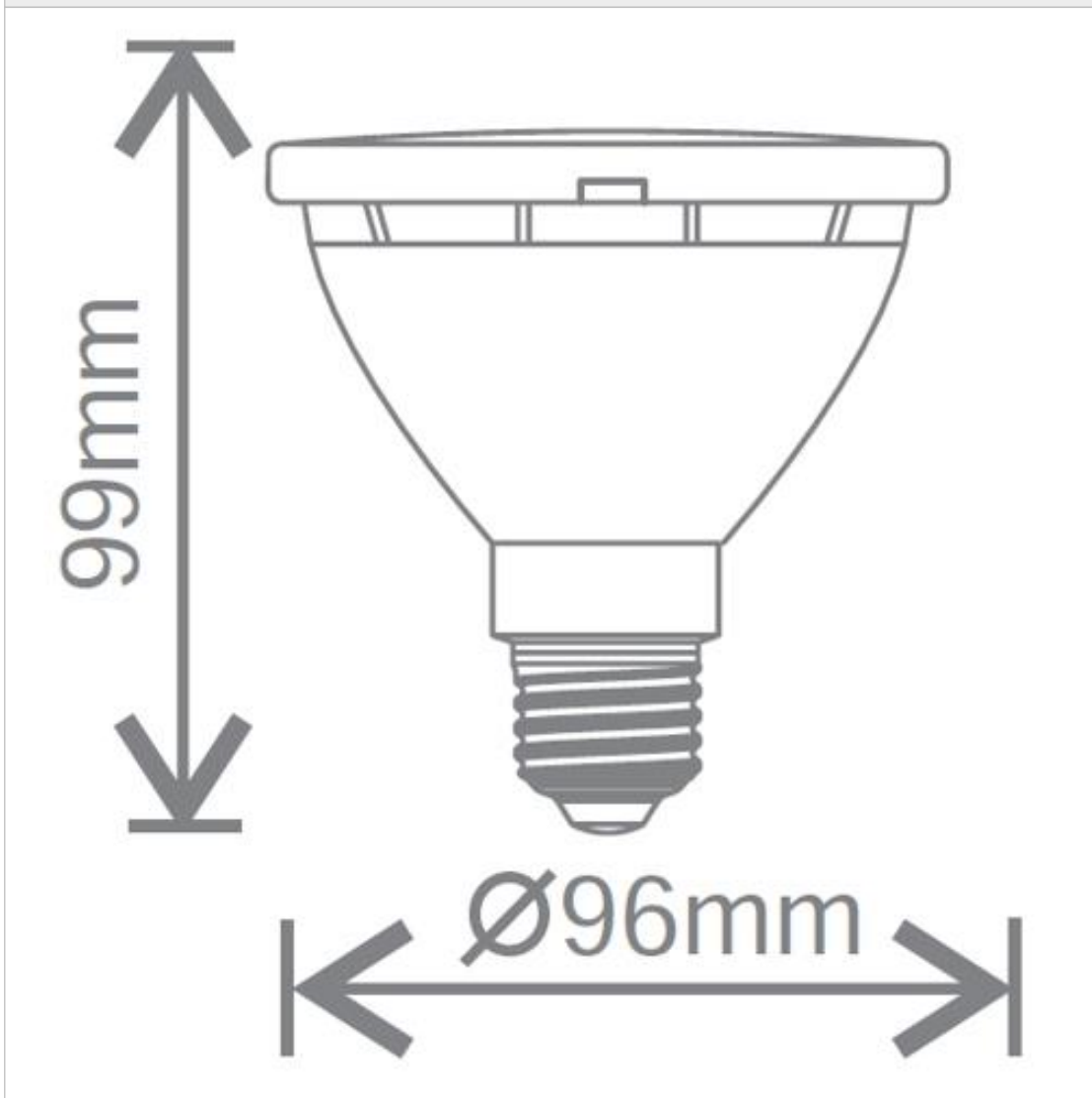
Not suitable for direct exposure to water.

Switch off supply before installing or removing lamp and allow cooling before handling.

Do not use in totally enclosed fittings as this will reduce lamp life.

Do not dispose of in household waste.

Dispose of in appropriate section of local civic amenity site or recycling centre.



Datasheet generated from <https://www.electrika.com> last updated Wednesday, May 1, 2019 10:07:54 AM