

430023-120

Technical Specification

Meadley High Bay 1-10v 100W 5000K Black 120D



Product Information

Product Group	Meadley
Description	Meadley High Bay 1-10v 100W 5000K Black 120D
Product Name	High Bay
Product Colour	Black
Warranty	5 Years

General Information

IP Rating	IP65
IK Rating	IK08
Operating Temperature	-30°C - +50°C
Optic	120 Degree
Body Material	Aluminium
Diffuser Material	Polycarbonate

430023-120

Technical Specification

Mounting Type Loop Hanging / Ceiling Mount

LED Information

LED Type SMD 3030

LED Manufacturer Refond

Lumen Output +/- 10% 13231lm

Lumens Per Circuit Watt 134Lm/W

LED Lifetime L70 50,000 Hours

CCT 5000K

CRI >80

Electrical Information

Class Class I

Circuit Wattage 100.8W

Connection Type Flying Lead

Cable Length 1.5M

Driver Information

Driver Brand MOSO

Dimming 1-10v

Input Voltage 200 - 240V AC

Operating Frequency 50 - 60Hz

Power Factor >0.92

Flicker Free Yes

430023-120

Technical Specification

Shipping Information

Product Weight	2.2Kg
Carton Dimensions	271mm x 271mm x 202mm
Qty Per Outer Carton	1
Packaged Weight ea.	2.8Kg
Barcode	5055379533661

Certification

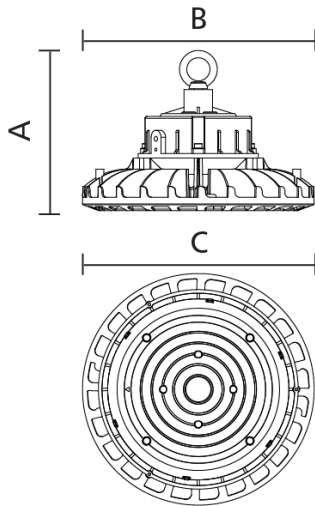
Manufactured in Accordance to	BS EN 60598-1
CE Marked	Yes

Product Dimensions

(A)	174mm
(B)	251mm
(C)	251mm

430023-120

Technical Specification



Datasheet generated by <https://www.onetimepim.com>, last updated: Tuesday, 03 December 2019 11:49:46