

INSTALLATION & MAINTENANCE MANUAL
WALL4LSS & WALL5LSS



GENERAL INSTRUCTIONS

These instructions should be read carefully and retained after installation by the end user for future reference and maintenance.

These instructions should be used to aid installation of the following products:

WALL4LSS & WALL5LSS

SAFETY

- Installation of this luminaire should only be carried out by a qualified electrician or competent person to the latest Building and current IEE Wiring Regulations (BS7671)
- Please isolate mains prior to installation/maintenance
- Check the total load on the circuit (including when this luminaire is fitted) does not exceed the rating of the circuit cable, fuse or circuit breaker
- Please note the IP (Ingress of Protection) rating of this luminaire when deciding the location for installation
- This product is Class I and requires an earth
- This product is IP44 rated

INSTALLATION

- Provide power to the required point of installation. Suitable IP rated junction boxes should be used where required
- To access the terminal block remove the rear access panel by removing the 2 bolts on the front as shown in Fig 1.

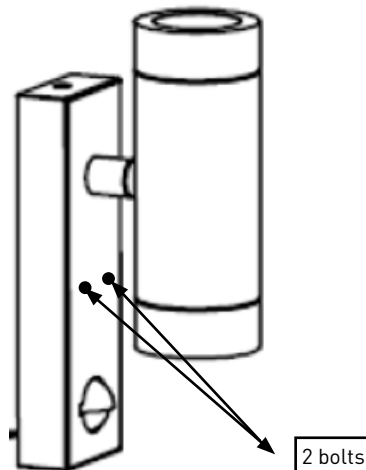


Fig1

(WALL4LSS shown in image)

- Use the base as a template and drill the fixing holes ensuring not to infringe with any joists, gas or water pipes or electrical cables (see Fig 2)

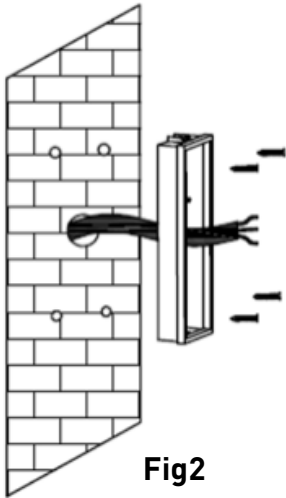


Fig2

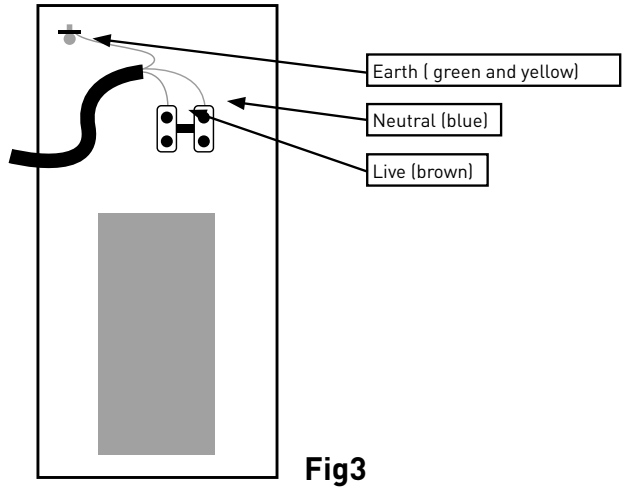


Fig3

- Connect the mains supply ensuring the correct polarity is observed (see Fig 3).
Live (brown), Neutral (blue) and Earth (green and yellow)

- Setting up the PIR (see Fig 4)

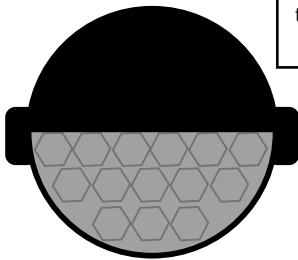
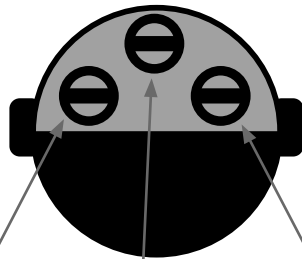


Fig4

Push eyelid down to access the PIR settings



Time setting
10sec to 4min

Detection setting
1m to 8m

Lux setting
10lx to 2000lx

- Push the PIR eyelid down (uncovering the PIR settings)
- Turn the dial clockwise to increase the value of each setting
- Turn off the fitting, and turn on after a period of 10 seconds for the PIR settings to be registered
- Switch on power supply and check for correct operation

PIR SETTING

- Detection range: up to 8m when mounted at 2.4m height
- Detection angle: 110°
- Time delay: 10sec to 4min
- Lux detection: 10lx to 2000lx

This PIR has a manual override function which can be set by the following step:

- Switch the power on and off twice within a 3 second period to enable the manual override setting

WARNING

This product must be disconnected from the circuit if it's subjected to any high voltage or insulation resistance testing. Irreparable damage will occur if this instruction is not followed.

The PIR full range may be affected by atmospheric conditions.

This product is unsuitable for installation in or near coastal and marine environments.

Do not use any source of high pressure washers to maintain or clean this luminaire.

GENERAL

Clean with a soft dry cloth only, do not use aggressive cleaning products or solvents which may damage the fitting.

A light film of acid free oil is recommended after installation and maintained periodically (2-3 times a year) to aid corrosion prevention.

We recommend using a lamp of a maximum 35W.

The unit should be recycled in the correct manner when it reaches the end of its life. Check local authorities for where facilities exist.

WARRANTY

This product has a limited warranty of 1 year. Failure to install this product in accordance with the current edition of the IEE Wiring Regulations, improper use, or removal of the batch codes will invalidate the warranty. If this product should fail within its warranty period it should be returned to the place of purchase for a free of charge replacement. ML Accessories does not accept responsibility for any installation costs associated with the replacement product. Your statutory rights are not affected. ML Accessories reserve the right to alter product specification without prior notice.



ML Accessories Limited

LU5 5TA

www.mlaccessories.co.uk

SBOCT16_V2