

ALDO
IN-GROUND/RECESSED

Luminaries suitable for in-ground and recessed installation with no visible screws. Supplied as standard with TUV-CB certified, long life and efficient G9 LED lamp. Quick and easy lamp replacement for a very simple maintenance after installation. Made of shockproof resin material, UV stabilised, rust and corrosion-free.

Cover with no visible screws made in shockproof resin material, stabilised, rust and corrosion free. Plain one-opening versions available, for a diffuse or directed light emission.

Diffuser made of shockproof resin material (PC) complete with silicone rubber gasket to ensure high protection against external agents.

Housing made of shockproof resin material. Provided with G9 lampholder and watertight cable gland for a safe electrical device connection.



G9 LAMP INCLUDED 

IP67



Power/Lamp (W):

1.7W

Light Output (Lm):

170

Available in:

 
Black Grey

Colour Temp:
4000K

PC Diffuser:
FROSTED DIFFUSER

* Light outputs quoted are those for the lamps and that when installed in the fittings will be less due to diffuser losses



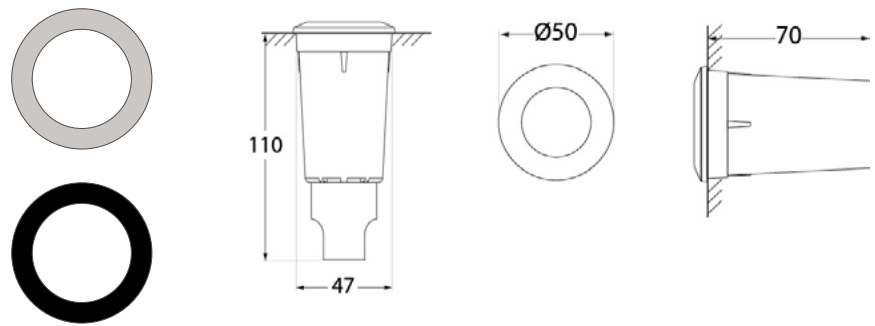
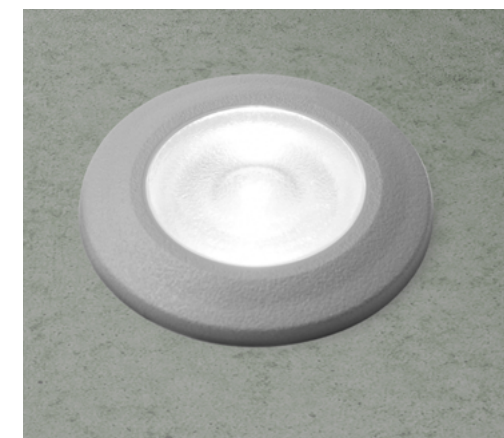








UV



CODE	DESCRIPTION	LAMP	LAMP INC.	1.7W LED COMPARABLE TO	LIFETIME HRS	COLOUR	CARTON QTY
ALDO IN-GROUND/RECESSED - 1.7W							
F1L0.AXZ1L	ALDO G9 LED 1,7W 4000K	G9	Yes	N/A	15,000	Black	50
F1L0.LXZ1L	ALDO G9 LED 1,7W 4000K	G9	Yes	N/A	15,000	Grey	50