



TURBO TIMER FAN

TURBO-E-100-T

The Blauberg Turbo-E Timer fan is an inline mixed-flow extractor fan with a run-on timer. Designed to supply and extract ventilation systems installed in various premises. The tube fan can be mounted in kitchens, bathrooms and other humid spaces.



Airflow:
Up to 187 m³/h



Power:
From 21 watts

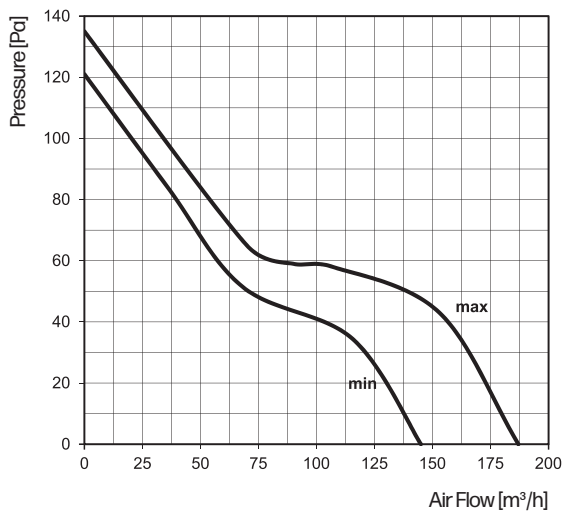


Noise level:
From 27 decibels

Technical Data

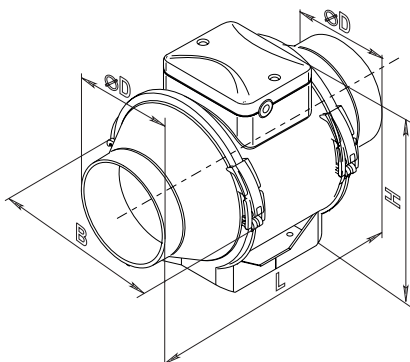
TURBO-E-100-T

Speed	Min	Max
Voltage [V/50 (60) Hz]	1 ~ 230	
Power [W]	21	33
Current [A]	0.11	0.21
Max. air flow [m ³ /h]	145	187
RPM [min ⁻¹]	2180	2385
Noise level at 3m [dBa]	27	36
Max. Transported air temp [oC]	60	
SEC Class	C	
Protection Rating	IPX4	



Performance

Sound-power level A-Weighted	Hz	Sound power level, A-filter applied								Sound Pressure level at 3 meters, A-fil- ter applied	Sound Pressure level at 1 meter, A-filter applied	
		Octave frequency band, Hz										
		63	125	250	500	1000				lpA, 3m [dBa]	lpA, 1m [dBa]	
Min Speed												
LwA to inlet	dBa	54	16	28	51	45	49	41	35	24	33	43
LwA to outlet	dBa	53	15	27	50	44	48	40	35	23	32	42
LwA to environment	dBa	48	11	23	44	40	43	36	31	21	27	37
Max Speed												
LwA to inlet	dBa	64	23	35	61	58	56	48	43	30	43	53
LwA to outlet	dBa	63	22	34	60	57	55	48	42	29	42	52
LwA to environment	dBa	56	17	29	53	51	50	43	38	26	36	46



Dimensions

Model	Dimensions [mm]				Weight [kg]
	ØD	B	H	L	
TURBO-E-100-T	96	167	190	246	1.45