

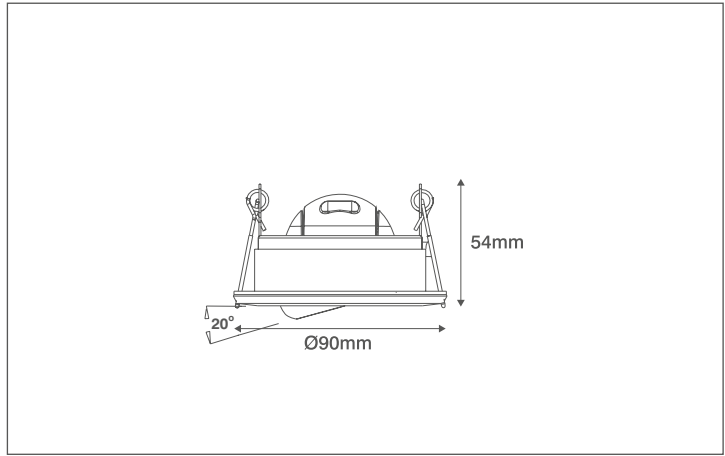
INCEPTOR® NANO5

Technical Specification



Product Code: OV5405CH5CD

Description: 4.8W LED Adjustable Dimmable Downlight - IP54 - 4000K - Chrome



General Information

Dimensions	90mm Diameter x 54mm (D)
Materials	Bezel: Aluminium (Plated or Powdercoated)
	Rear Frame: Steel
	Rear Housing: ABS
	Lens: Polycarbonate
Finish	Polished Chrome
Product Weight	0.34Kg
Cutout	75mm Diameter
Dimmable	Yes
Ingress Protection	IP54
Warranty	3 Years

Supply & Power

Input Voltage & Frequency	220-240V~ 50Hz
Electrical Safety	Class I
Input Power	4.8W
Input Current	30mA
Inrush Current	1.5A
Power Factor	0.8
Ambient Temperature (Ta)	-15°C - +40°C
Critical Temperature	+80°C
LED Driver	Integrated
Prewired Flow™ Connector	Yes (3 Pole CT100-F Screw Terminals)

Accessories

OVISC1020	Insulation Support Bracket
OVMCG2305M3	3 Hour Universal Emergency Pack With prewired Flow™ Connectors
OVSP3120CH	130mm Diameter Converter Plate - Chrome

Luminaire Output

Colour Temperature	4000K
CRI	>80
Typical Luminous Flux	450lm
Efficacy	81lm/W
Beam Angle	40°
LED Lifetime (L70)	25,000 Hours
Adjustable Angle	20°

Additional Approvals

Fire Rating	30, 60 & 90 minutes
Acoustic Rating	0dB (zero impact on sound insulation)
Air Flow™	BS 5250: 2011 compliant

