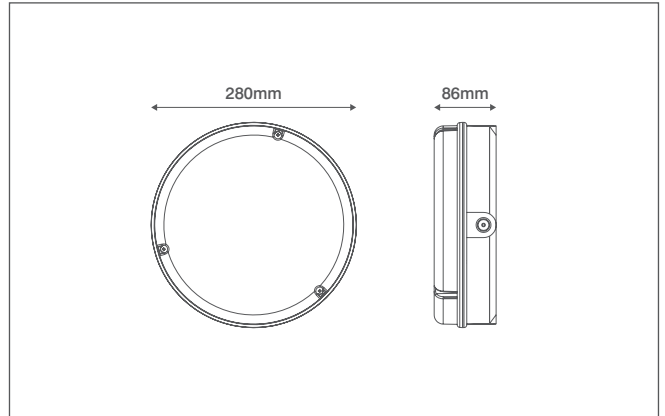


Technical Specification

Product Code: OV9300BK12PC

Description: 12W LED Bulkhead With Knockouts - Standard With Photocell - IP65 - CTA - Black



General Information

Dimensions	280mm Diameter x 86mm (D)
Materials	Base & Diffuser: Polycarbonate (UV Stabilised) Gear Tray: Powdercoated Steel LED Array: Aluminium Substrate
Finish	Black (RAL 9004)
Product Weight	0.82Kg
Ingress Protection	IP65
Flammability	UL94-V2
Warranty	5 Years

Supply & Power

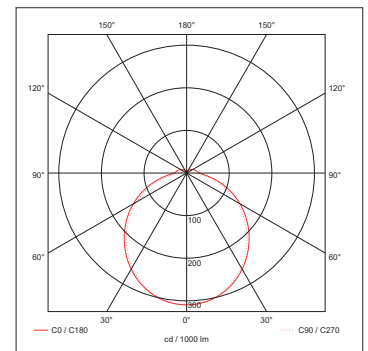
Input Voltage & Frequency	200-240V~ 50/60Hz
Electrical Safety	Class II (Double Insulated)
LED Wattage	12W
Circuit Wattage	12W
Input Current	100mA (Max.)
Power Factor	>0.95
Ambient Temperature (Ta)	-15°C - +50°C
Critical Temperature	+80°C
LED Driver	Integrated
Termination	3 Pole Push-fit Terminals

Luminaire Output

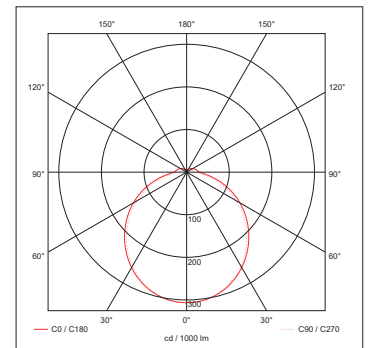
	3000K	4000K	6000K
Colour Temperature	3000K	4000K	6000K
Typical Luminous Flux	1200lm	1300lm	1200lm
Efficacy	93lm/W	105lm/W	95lm/W
Beam Angle	114°	114°	114°
CRI	>80		
LED Lifetime (L70)	30,000 Hours		

Photocell Information

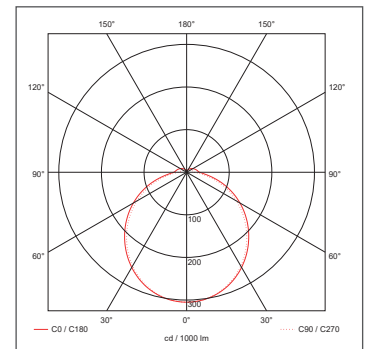
Switching Light Level 70 Lux (Automatic Dusk / Dawn)



3000K



4000K



6000K

