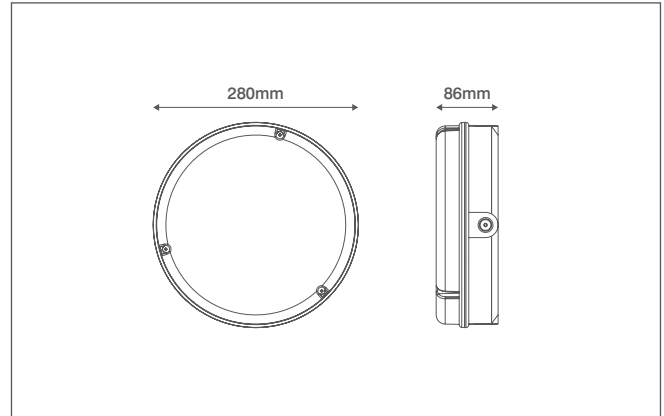


Technical Specification

Product Code: OV9300WH12MWEM

Description: 12W LED Bulkhead With Knockouts - Microwave Sensor & Emergency - IP65 - CTA - White



General Information

| | |
|---------------------------|--|
| Dimensions | 280mm Diameter x 86mm (D) |
| Materials | Base & Diffuser: Polycarbonate (UV Stabilised) Gear Tray: Powdercoated Steel LED Array: Aluminium Substrate |
| Finish | White (RAL 9010) |
| Product Weight | 0.97Kg |
| Corridor Function | Yes (10% or 25% Output) |
| Ingress Protection | IP65 |
| Flammability | UL94-V2 |
| Warranty | 5 Years (4 Years Battery) |

Supply & Power

| | |
|--------------------------------------|-----------------------------|
| Input Voltage & Frequency | 200-240V~ 50/60Hz |
| Electrical Safety | Class II (Double Insulated) |
| LED Wattage | 12W |
| Circuit Wattage | 14W |
| Input Current | 120mA |
| Power Factor | >0.95 |
| Ambient Temperature (Ta) | 0°C - +50°C |
| Critical Temperature | +80°C |
| LED Driver | Integrated |
| Termination | 4 Pole Push-fit Terminals |

Luminaire Output

| Colour Temperature | 3000K | 4000K | 6000K |
|--------------------------------|--------------|--------|--------|
| Typical Luminous Flux | 1200lm | 1300lm | 1200lm |
| Efficacy | 85lm/W | 92lm/W | 85lm/W |
| Emergency Luminous Flux | 122lm | 122lm | 122lm |
| Beam Angle | 114° | 114° | 114° |
| CRI | >80 | | |
| LED Lifetime (L70) | 30,000 Hours | | |

Microwave Information

| | |
|--------------------------------|------------------------------------|
| Detection Angle | ≤150° |
| Detection Distance | 8 - 14 Metres Diameter |
| Installation Height | 2.5 - 6 Metres |
| Hold Time (Time Delay) | 5 secs / 90 secs / 3 mins / 10mins |
| Lux Level | 15 Lux / Disable |
| Detection Area | 50% or 100% |
| Dimming Stand-by Period | 0 sec / 30 secs / 10 mins / +∞ |
| Stand-by Dimming Level | 10% or 25% (Corridor Functions) |
| HF System | 5.8GHz ±75MHz |
| Master/Slave Facility | Not Available |

Emergency Information

| | |
|----------------------------------|---------------------------------|
| Installation Requirements | Can only be wired as maintained |
| Battery Specification | Li-Ion 2000mAh 3.7V |
| Battery Warranty | 4 Years |
| Emergency Duration | 3 Hours Minimum |

