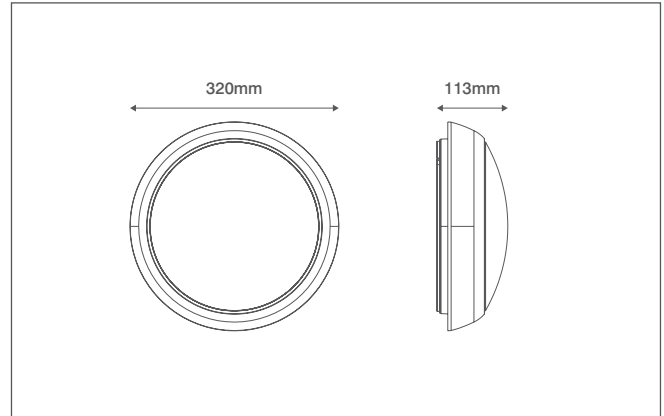


# EVO ORB

## Technical Specification

Product Code: OV9700WH12EM

Description: 12W LED Bulkhead - Emergency - IP65 - CTA - White



### General Information

|                    |   |
|--------------------|---|
| Dimensions         | 320mm Diameter x 113mm (D)  |
| Materials          | Base & Diffuser: Polycarbonate (UV Stabilised) Gear Tray: Powdercoated Steel LED Array: Aluminium Substrate |
| Finish             | White (RAL 9010)  |
| Product Weight     | 1Kg   |
| Ingress Protection | IP65  |
| Flammability       | UL94-V2   |
| Warranty           | 5 Years (4 Years Battery)   |

### Supply & Power

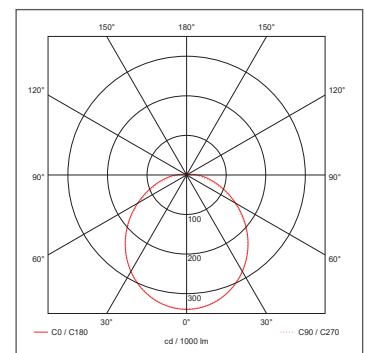
|                           |                             |
|---------------------------|-----------------------------|
| Input Voltage & Frequency | 200-240V~ 50/60Hz           |
| Electrical Safety         | Class II (Double Insulated) |
| LED Wattage               | 12W                         |
| Circuit Wattage           | 14W                         |
| Input Current             | 100mA (Max.)                |
| Power Factor              | >0.95                       |
| Ambient Temperature (Ta)  | 0°C - +50°C                 |
| Critical Temperature      | +80°C                       |
| LED Driver                | Integrated                  |
| Termination               | 4 Pole Push-fit Terminals   |

### Luminaire Output

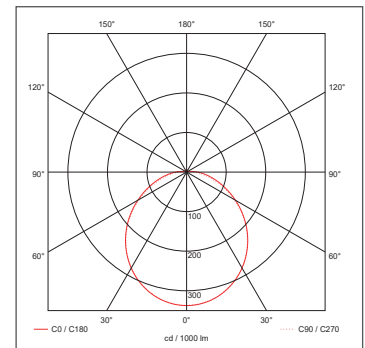
| Colour Temperature      | 3000K        | 4000K  | 6000K  |
|-------------------------|--------------|--------|--------|
| Typical Luminous Flux   | 950lm        | 1100lm | 1050lm |
| Efficacy                | 67lm/W       | 78m/W  | 75lm/W |
| Emergency Luminous Flux | 98lm         | 98lm   | 98lm   |
| Beam Angle              | 107°         | 107°   | 107°   |
| CRI                     | >80          |        |        |
| LED Lifetime (L70)      | 30,000 Hours |        |        |

### Emergency Information

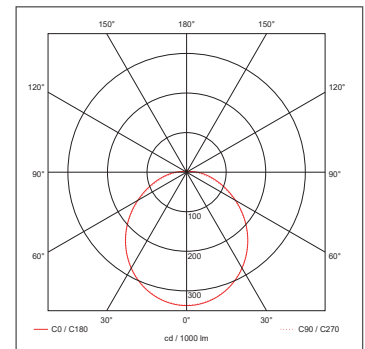
|                           |  |
|---------------------------|--|
| Installation Requirements | Can be wired as maintained or non-maintained |
| Battery Specification     | Li-Ion 2000mAh 3.7V                          |
| Battery Warranty          | 4 Years                                      |
| Emergency Duration        | 3 Hours Minimum                              |



3000K



4000K



6000K



Ovia Limited, Scolmore House, Mariner, Lichfield Road Industrial Estate, Tamworth, Staffordshire, B79 7UL United Kingdom

T: +44 (0)1827 300640

E: sales@oviaUK.com | W: oviaUK.com